

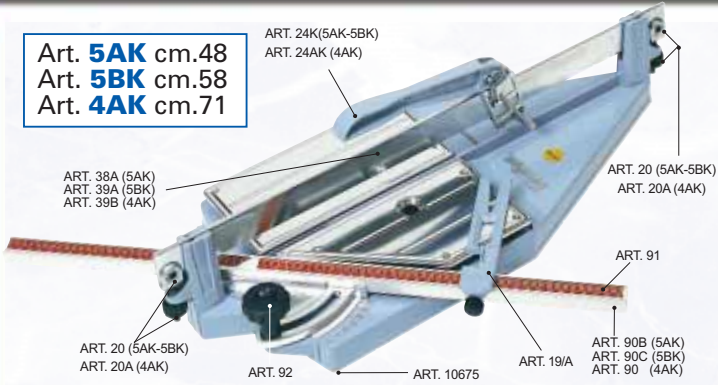
Tagliapiastrelle serie 3, diagonale e standard a spinta click klock

tile Cutters - Coupe-carreaux - Fliesenschneider

BREVETTATA
PATENTED



Art. **5AK** cm.48
Art. **5BK** cm.58
Art. **4AK** cm.71



Art.	cm	cm	mm	Kg.
3AK	50X50	35X35	20	8,5
3BK	60X60	42X42	20	9,2
3CK	72X72	50X50	20	11,5
3DK	90X90	63X63	20	12,8
3EK	128X128	90X90	20	23,0
5AK	48X48	33x33	20	8,1
5BK	58X58	41X41	20	9,4
4AK	71X71	50X50	20	12,3

Art. **3AK** cm.50
Art. **3BK** cm.60
Art. **3CK** cm.72
Art. **3DK** cm.90
Art. **3EK** cm.128

